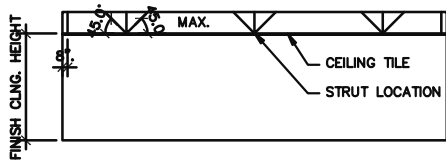
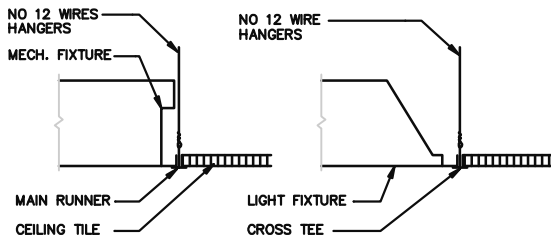


PLAN VIEW

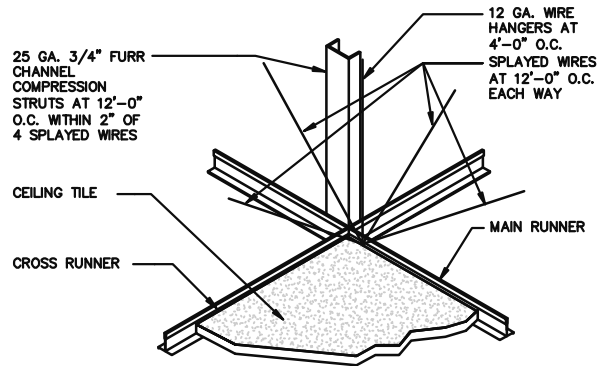
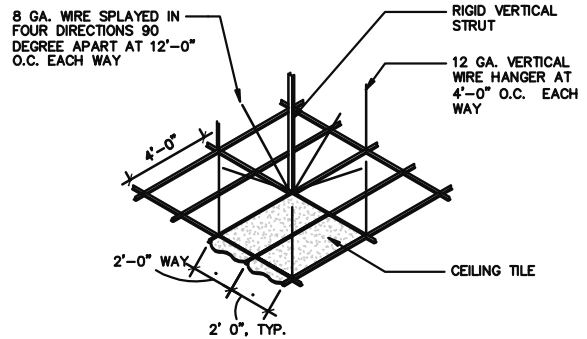


SECTION VIEW



NOTES:

1. INSTALL PERIMETER HANGERS AT EACH MAIN AND CROSS RUNNER NO MORE THAN 8" FROM EACH WALL OR CEILING DISCONTINUITY.
2. LIGHT FIXTURES SHALL BE POSITIVELY ATTACHED TO CEILING SYSTEM. #12 HANGERS SHALL BE INSTALLED WITHIN 3" OF EACH CORNER OF A LIGHTING FIXTURE.
3. MECHANICAL DEVICES LESS THAN 20 LBS SHALL BE POSITIVELY ATTACHED TO MAIN RUNNERS. DEVICES 20 TO 56 LBS SHALL HAVE (2) #12 WIRES ATTACHED TO STRUCTURE. DEVICES OVER 56 LBS REQUIRE APPROVED SUPPORT SYSTEMS.
4. COMPLY WITH ICC ESR-1289.



NOTES:

1. VERTICAL STRUT: A STRUT FASTENED TO THE MAIN RUNNER SHALL BE EXTENDED TO AND FASTENED TO THE STRUCTURE MEMBERS SUPPORTING THE ROOF ABOVE. THE STRUT SHALL BE ADEQUATE TO RESIST THE VERTICAL COMPONENT INDUCED BY BRACING WIRES.
2. THESE HORIZONTAL RESTRAINT POINTS SHALL BE PLACED 12' O.C. IN BOTH DIRECTIONS WITH THE FIRST POINT WITHIN 6' FROM EACH WALL. ICC ESR-1289.
3. RIGID VERTICAL STRUT MAY BE STEEL, BLACK IRON, OR EMT.
4. LAY IN CEILING MUST CONFORM TO ASTM C635 AND C636 AND ICC ESR-1289.



CEILING TILE AND GRID SUPPORT

REV. NO. 001

REV. DATE : 08-27-20

DRAWN BY : NBS

DWG. NO.

AC-02

SCALE : NTS