

SEE FLOOR PLANS
FOR WALL TYPE

AT SIM LOCATION,
REFERENCE
DIMENSION ON RCP

THREADED ROD TO
STRUCTURE

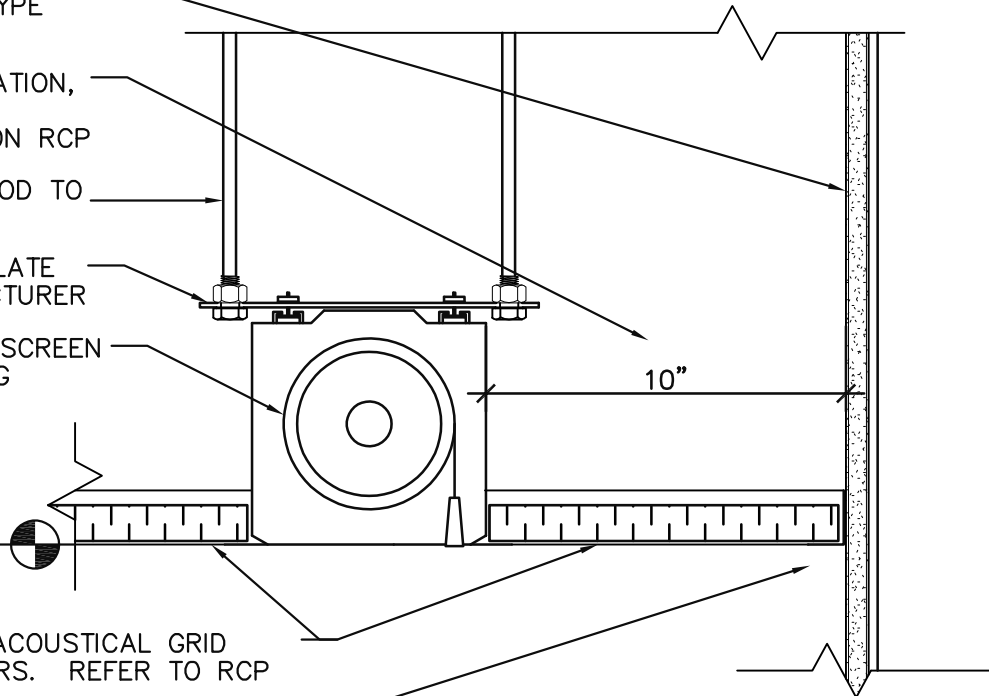
MOUNTING PLATE
BY MANUFACTURER

PROJECTION SCREEN
AND HOUSING
BY OTHERS

FIN. CEILING
(SEE RCP)

SUSPENDED ACOUSTICAL GRID
WHERE OCCURS. REFER TO RCP

OPENING IN CEILING FOR WINDOW
SHADE AT SIM LOCATION REFERENCE
RCP FOR ADDITIONAL INFORMATION



RCP @ PROJECTION SCREEN IN ACT

REV. NO. 001

REV. DATE : 08-27-20

DRAWN BY : NBS

DWG. NO.

AC-11

SCALE : 3' = 1'-0"