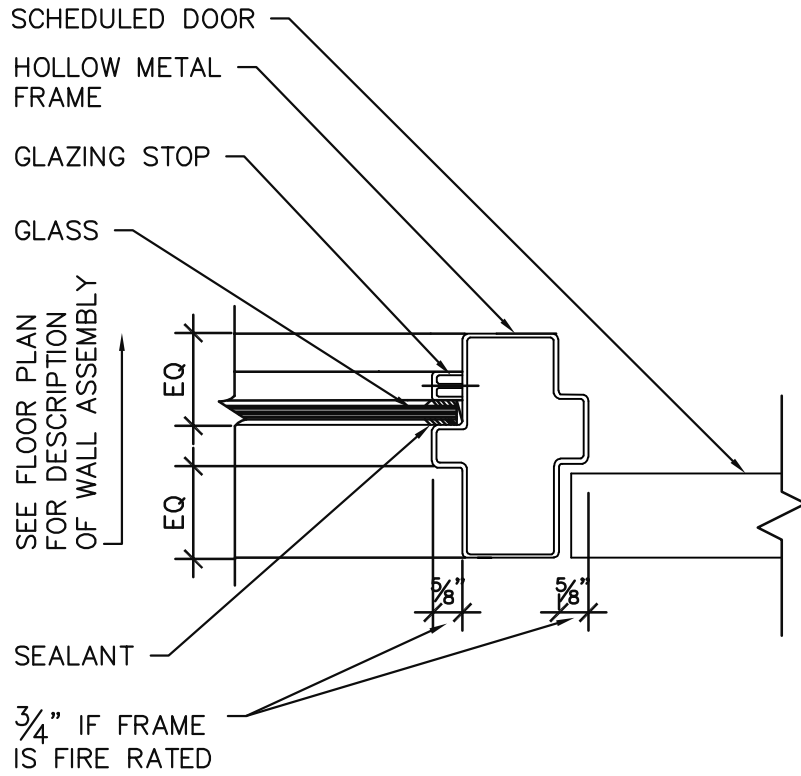


REFER TO H.M. FRAME PROFILES
FOR MORE INFORMATION



HOLLOW METAL DOOR AND WINDOW JAMB

REV. NO. 001

REV. DATE : 01-22-2021

DRAWN BY : NBS

DWG. NO.

AD-11

SCALE : 3' = 1'-0"