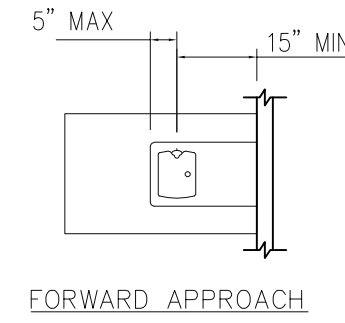


SCOPE:
NO FEWER THAN TWO DRINKING FOUNTAINS SHALL BE PROVIDED, ONE ACCESSIBLE AND ONE FOR STANDING. WHERE A SINGLE DRINKING FOUNTAIN COMPLIES WITH BOTH IT SHALL BE PERMITTED TO BE SUBSTITUTED FOR TWO SEPARATE DRINKING FOUNTAINS.

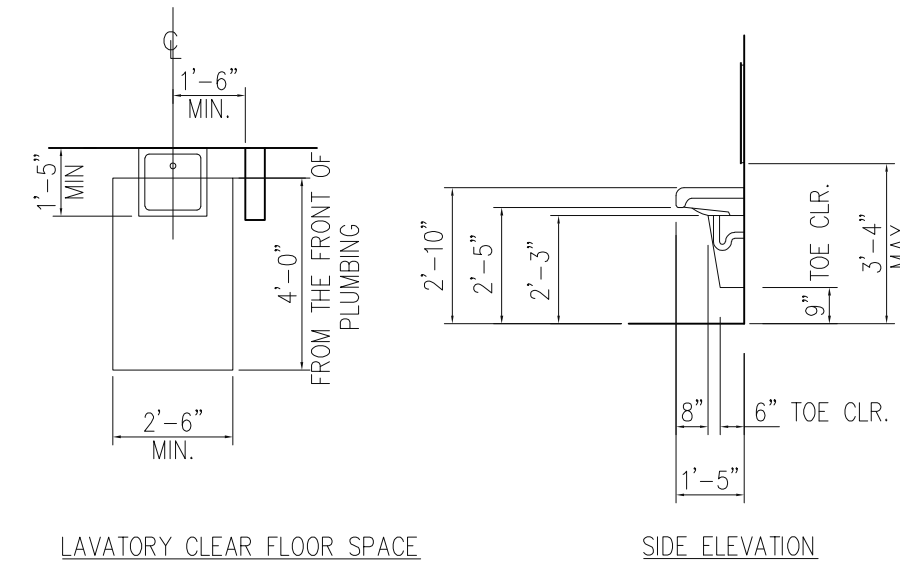


FORWARD APPROACH

NOTES:

1. A CLEAR FLOOR SPACE POSITIONED FOR A FORWARD APPROACH SHALL BE PROVIDED. PROVIDE KNEE AND TOE SPACE. THE CLEAR SPACE SHALL BE CENTERED ON THE DRINKING FOUNTAIN.
2. OPERABLE PARTS SHALL COMPLY WITH OPERABLE PARTS REQUIREMENTS. THE FLOW OF WATER SHALL BE ACTIVATED BY A MANUALLY OPERATED SYSTEM THAT IS FRONT MOUNTED OR SIDE MOUNTED AND LOCATED WITHIN 6 INCHES OF THE FRONT EDGE OF THE FOUNTAIN OR AN AUTOMATIC ELECTRONICALLY CONTROLLED DEVICE.
3. SPOUT OUTLETS OF WHEELCHAIR ACCESSIBLE DRINKING FOUNTAINS SHALL BE 36 INCHES MAXIMUM ABOVE THE FLOOR. SPOUT OUTLETS OF DRINKING FOUNTAINS FOR STANDING PERSONS SHALL BE 38 INCHES MINIMUM AND 43 INCHES MAXIMUM ABOVE THE FLOOR.
4. THE SPOUT SHALL PROVIDE A FLOW OF WATER 4 INCHES MINIMUM IN HEIGHT. THE ANGLE OF THE WATER STREAM FROM THE SPOUTS WITHIN 3 INCHES OF THE FRONT OF THE DRINKING FOUNTAIN SHALL BE 30 DEGREES MAXIMUM, AND FROM SPOUTS BETWEEN 3 INCHES AND 5 INCHES FROM THE FRONT OF THE FRONT FACE OF THE DRINKING FOUNTAIN.
5. DEPTH WALL AND POST-MOUNTED CANTILEVERED DRINKING FOUNTAINS SHALL BE 18 INCHES MINIMUM AND 19 INCHES MAXIMUM IN DEPTH.
6. PEDESTRIAN PROTECTION. ALL DRINKING FOUNTAINS SHALL EITHER BE LOCATED COMPLETELY WITHIN ALCOVES, POSITIONED COMPLETELY BETWEEN WING WALLS, OR OTHERWISE POSITIONED SO AS NOT TO ENCRUCH INTO PEDESTRIAN WAYS. THE PROTECTED AREA WITHIN WHICH A DRINKING FOUNTAIN IS LOCATED SHALL BE 32 INCHES WIDE MINIMUM AND 18 INCHES DEEP MINIMUM, AND SHALL COMPLY WITH MANEUVERING CLEARANCES FOR ALCOVES. WHEN USED, WING WALLS OR BARRIERS SHALL PROJECT HORIZONTALLY AT LEAST A FAR AS THE DRINKING FOUNTAIN AND TO WITHIN 6 INCHES VERTICALLY FROM THE FLOOR OR GROUND SURFACE.

DRINKING FOUNTAINS



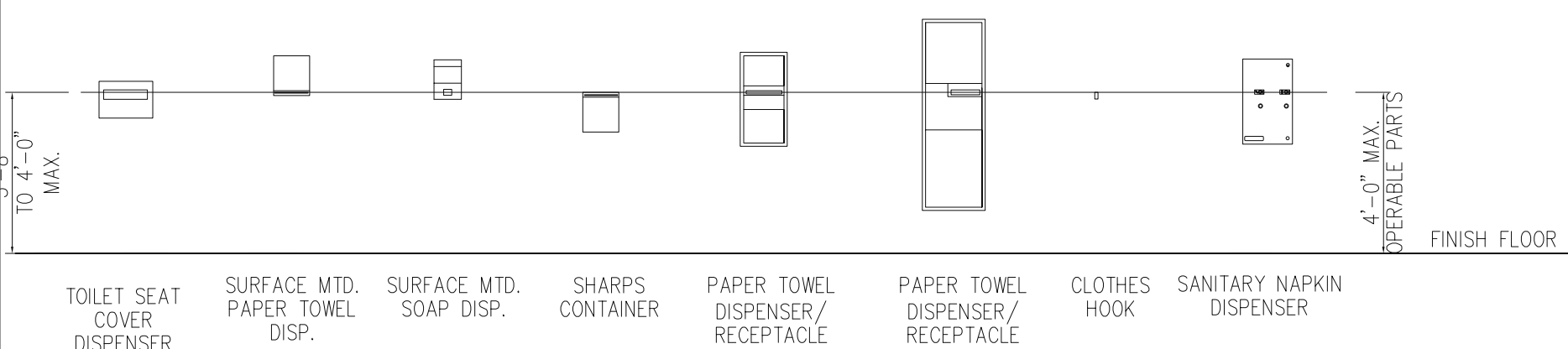
LAVATORY CLEAR FLOOR SPACE

SIDE ELEVATION

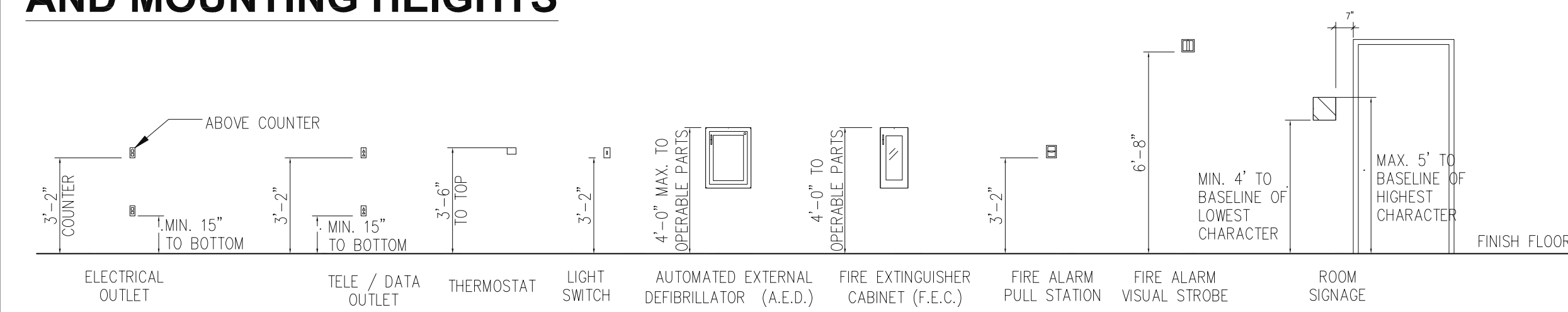
NOTES:

1. A CLEAR FLOOR SPACE POSITIONED FOR FORWARD APPROACH SHALL BE PROVIDED. EXCEPTION: A PARALLEL APPROACH SHALL BE PERMITTED TO A KITCHEN SINK IN A SPACE WHERE A COOK TOP OR CONVENTIONAL RANGE IS NOT PROVIDED.
2. KNEE AND TOE CLEARANCE SHALL BE PROVIDED. THE DIP OF THE OVERFLOW SHALL NOT BE CONSIDERED IN DETERMINING KNEE AND TOE CLEARANCES.
3. FAUCETS SHALL COMPLY WITH OPERABLE PARTS. HAND-OPERATED METERING FAUCETS SHALL REMAIN OPEN FOR 10 SECONDS MINIMUM.
4. WHERE ENHANCED REACH RANGE IS REQUIRED. AT LAVATORIES, FAUCETS AND SOAP DISPENSER CONTROLS SHALL HAVE A REACH DEPTH OF 11 INCHES MAXIMUM OR, IF AUTOMATIC, SHALL BE ACTIVATED WITHIN A REACH DEPTH OF 11 INCHES MAXIMUM. WATER AND SOAP FLOW SHALL BE PROVIDED WITH A REACH DEPTH OF 11 INCHES MAXIMUM.
5. WATER SUPPLY AND DRAINPIPES UNDER LAVATORIES AND SINKS SHALL BE INSULATED OR OTHERWISE CONFIGURED TO PROTECT AGAINST CONTACT. THERE SHALL BE NO SHARP OR ABRASIVE SURFACES UNDER LAVATORIES AND SINKS.

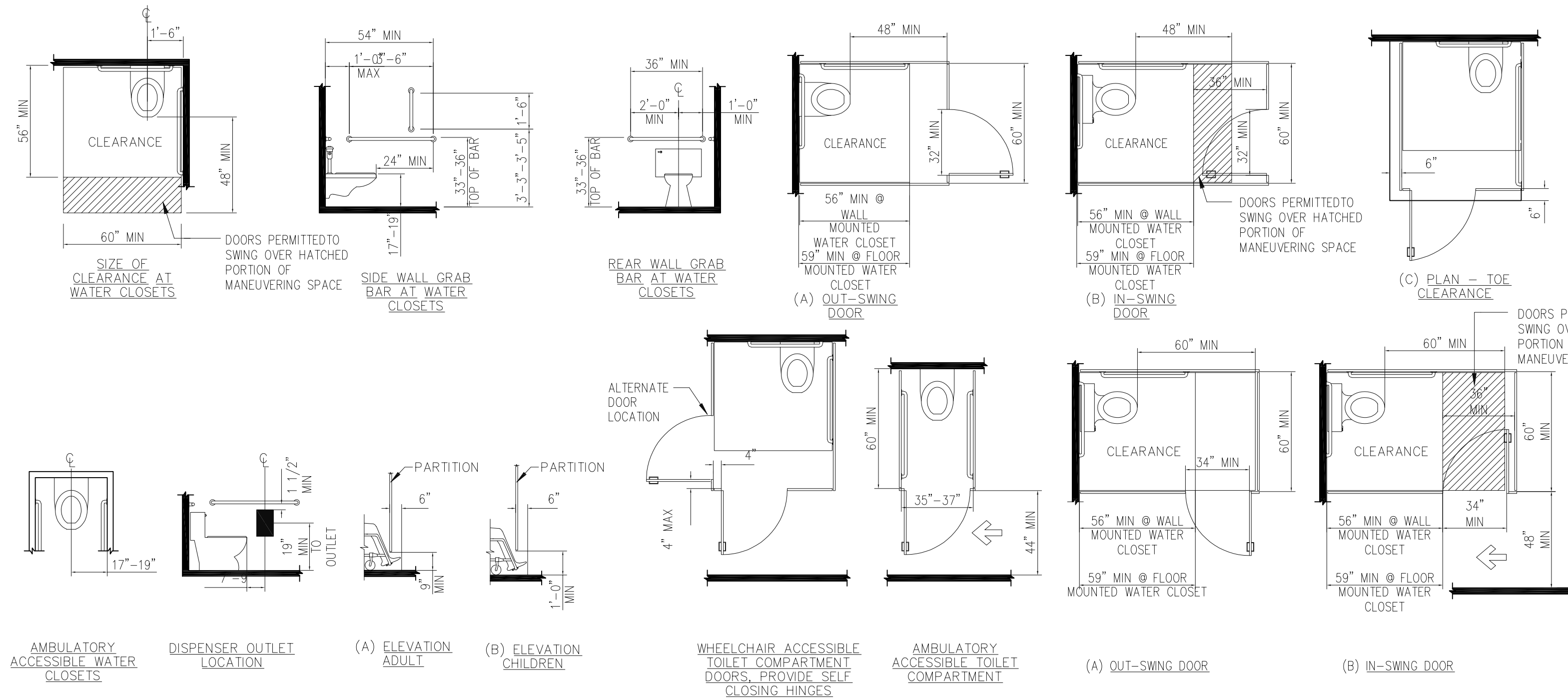
LAVATORIES AND SINKS



RESTROOM INSTALLATION DIMENSIONS AND MOUNTING HEIGHTS



TYPICAL EQUIPMENT INSTALLATION DIMENSIONS AND MOUNTING HEIGHTS



TOILET COMPARTMENTS

NOTES:

AT LEAST ONE SIDE PARTITION SHALL PROVIDE TOE CLEARANCE OF 9 INCHES MINIMUM ABOVE THE FINISH FLOOR AND 6 INCHES DEEP MINIMUM BEYOND THE COMPARTMENT SIDE FACE OF THE PARTITION, EXCLUSIVE OF PARTITION SUPPORT MEMBER. PARTITION COMPONENTS AT TOE CLEARANCES SHALL BE SMOOTH WITHOUT SHARP EDGES OR ABRASIVE SURFACES. TOE CLEARANCE AT THE SIDE PARTITION IS NOT REQUIRED IN A COMPARTMENT GREATER THAN 66 INCHES WIDE.

TOILET AND BATHING ROOMS

1. CLEARANCES: TURNING SPACE SHALL BE PROVIDED WITHIN THE ROOM. REQUIRED CLEAR FLOOR SPACES, CLEARANCE AT FIXTURES, AND TURNING SPACE SHALL BE PERMITTED TO OVERLAP. DOORS SHALL NOT SWING INTO THE CLEAR FLOOR SPACE OR CLEARANCE REQUIRED FOR ANY FIXTURE. OTHER THAN THE DOOR TO THE ACCESSIBLE WATER CLOSET COMPARTMENT, A DOOR IN ANY POSITION, MAY ENCRUCH INTO THE TURNING SPACE BY 12 INCHES. EXCEPTION: WHERE THE TOILET ROOM OR BATHING ROOM IS FOR INDIVIDUAL USE AND A COMPLYING CLEAR FLOOR SPACE IS PROVIDED WITHIN THE ROOM BEYOND THE ARC OF THE DOOR SWING, DOORS SHALL BE PERMITTED TO SWING INTO THE CLEAR FLOOR SPACE OR CLEARANCE REQUIRED FOR ANY FIXTURE.
2. MIRRORS: LOCATED ABOVE LAVATORIES OR COUNTERTOPS SHALL BE INSTALLED WITH THE BOTTOM EDGE OF THE REFLECTING SURFACE 40 INCHES MAXIMUM ABOVE THE FINISH FLOOR OR GROUND. MIRRORS NOT LOCATED ABOVE LAVATORIES OR COUNTERTOPS SHALL BE INSTALLED WITH THE BOTTOM EDGE OF THE REFLECTING SURFACE 35 INCHES MAXIMUM ABOVE THE FINISH FLOOR OR GROUND.
3. COAT HOOKS: SHALL BE LOCATED WITHIN ONE OF THE REACH RANGES. SHELVES SHALL BE LOCATED 40 INCHES MINIMUM AND 48 INCHES MAXIMUM ABOVE THE FINISHED FLOOR.
4. ACCESSORIES: WHERE TOWEL OR SANITARY NAPKIN DISPENSERS, WASTE RECEPTACLES, OR OTHER ACCESSORIES ARE PROVIDED IN TOILET FACILITIES, AT LEAST ONE OF EACH TYPE SHALL BE LOCATED ON A ACCESSIBLE ROUTE. ALL OPERABLE PARTS, INCLUDING COIN SLOTS, SHALL BE 40 INCHES MAXIMUM ABOVE THE FINISH FLOOR.

WATER CLOSETS AND TOILET COMPARTMENTS

1. OVERLAP: THE REQUIRED CLEARANCES AROUND THE WATER CLOSET SHALL BE PERMITTED TO OVERLAP THE WATER CLOSET, ASSOCIATED GRAB BARS, DISPENSERS, SANITARY NAPKIN DISPOSAL UNITS. COAT HOOKS, SHELVES, ACCESSIBLE ROUTES, CLEAR FLOOR SPACE AND CLEARANCES REQUIRED AT OTHER FIXTURE, AND THE TURNING SPACE. NO OTHER FIXTURES OR OBSTRUCTIONS SHALL BE LOCATED WITHIN THE REQUIRED WATER CLOSET CLEARANCE.

FLUSH VALVES

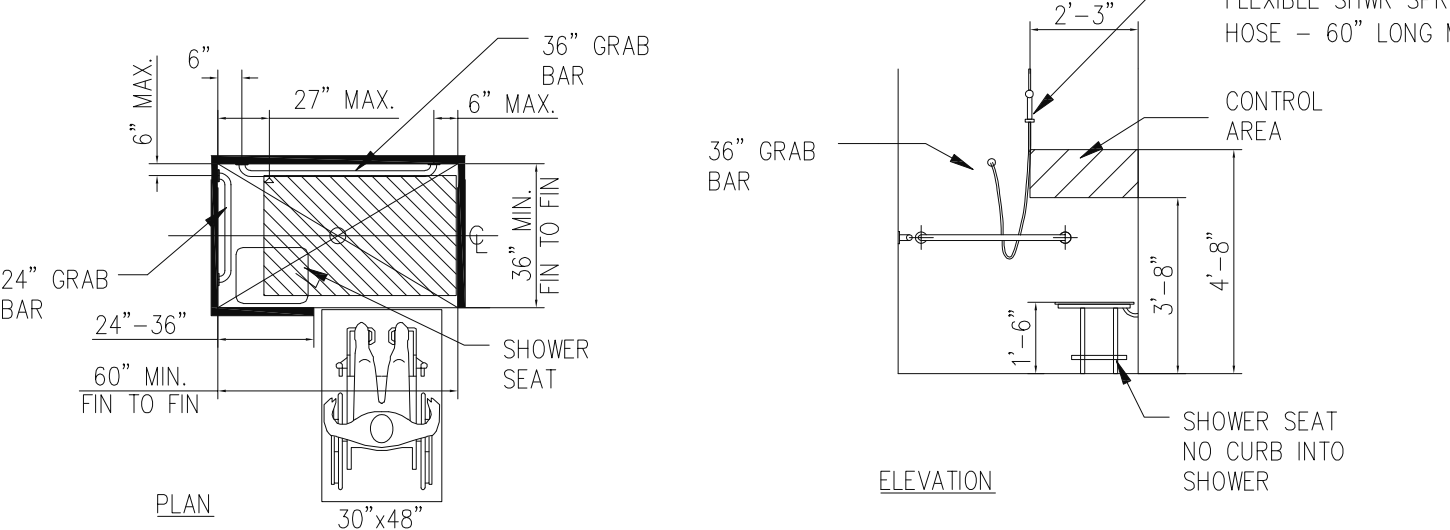
1. FLUSH CONTROLS SHALL BE HAND OPERATED OR AUTOMATIC. HAND OPERATED FLUSH CONTROLS SHALL COMPLY WITH REACH RANGES EXCEPT THEY SHALL BE LOCATED 44 INCHES MAXIMUM ABOVE THE FLOOR, AND NOT REQUIRE TIGHT GRASPING, PINCHING, OR TWISTING OF THE WRIST. THE FORCE REQUIRED TO ACTIVATE OPERABLE PARTS SHALL BE 5 POUNDS MAXIMUM. FLUSH CONTROLS SHALL BE LOCATED ON THE OPEN SIDE OF THE WATER CLOSET EXCEPT IN AMBULATORY ACCESSIBLE COMPARTMENTS.

DISPENSERS

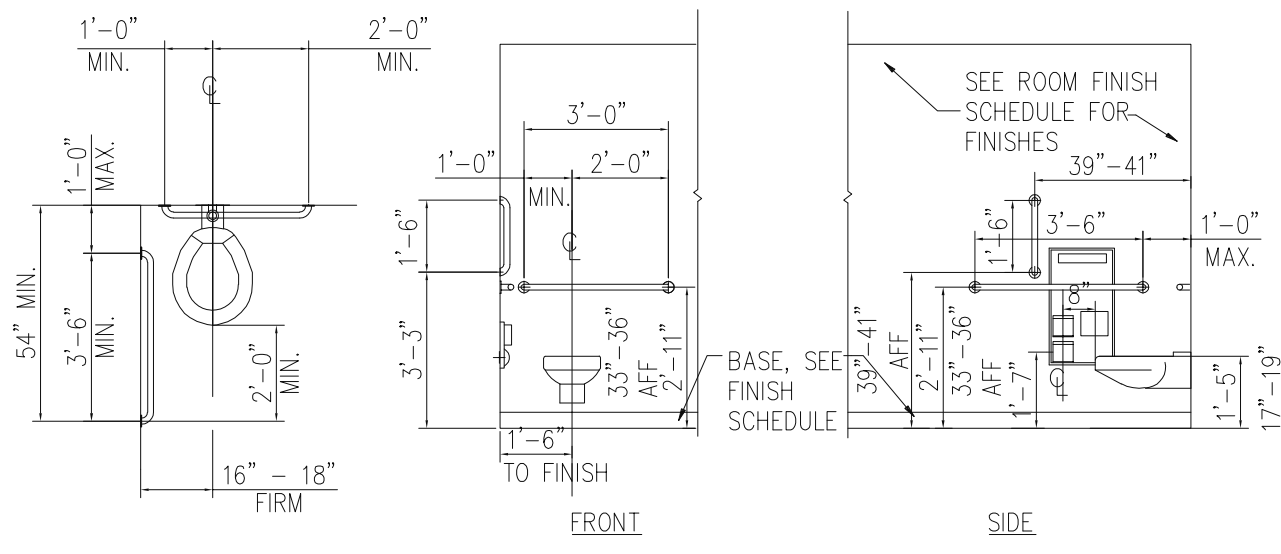
1. DISPENSERS SHALL NOT BE OF A TYPE THAT CONTROLS DELIVERY OR THAT DOES NOT ALLOW CONTINUOUS PAPER FLOW.

AMBULATORY COMPARTMENTS:

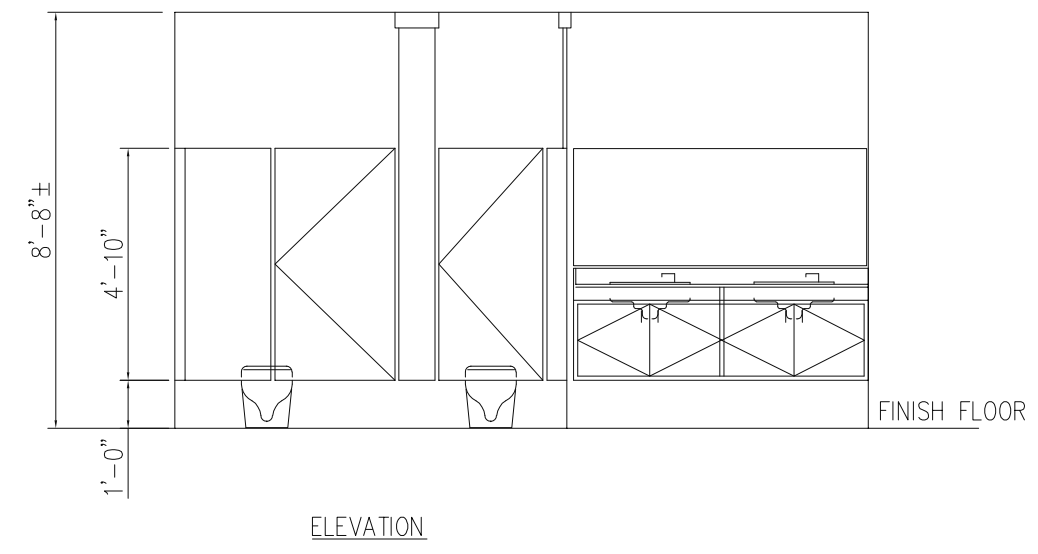
1. WHERE TOILET COMPARTMENTS ARE PROVIDED AT LEAST ONE SHALL BE ACCESSIBLE. IN ADDITION AT LEAST ONE AMBULATORY COMPARTMENT ARE PROVIDED WHERE SIX OR MORE TOILET COMPARTMENTS ARE PROVIDED, OR WHERE THE COMBINATION OF URINALS AND WATER CLOSETS TOTALS SIX OR MORE FIXTURES.



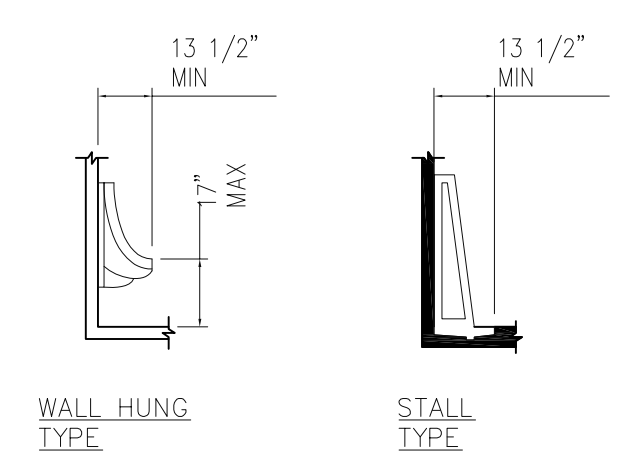
ACCESSIBLE ALTERNATE ROLL-IN SHOWER WITH SHOWER SEAT



GRAB BARS



TOILET PARTITIONS



- WALL HUNG TYPE** **STALL TYPE**
- NOTES:**
1. WHERE ONE OR MORE URINAL ARE PROVIDED, AT LEAST ONE SHALL BE ACCESSIBLE.
 2. A CLEAR FLOOR OR GROUND SPACE POSITIONED FOR FORWARD APPROACH SHALL BE PROVIDED.
 3. FLUSH CONTROLS SHALL BE HAND OPERATED OR AUTOMATIC. HAND OPERATED FLUSH CONTROLS SHALL COMPLY WITH REACH RANGES AND NOT REQUIRE TIGHT GRASPING, PINCHING, OR TWISTING OF THE WRIST. THE FORCE REQUIRED TO ACTIVATE OPERABLE PARTS SHALL BE 5 POUNDS MAXIMUM. HAND OPERATED FLUSH CONTROLS SHALL BE MOUNTED AT A MAXIMUM HEIGHT OF 44 INCHES ABOVE THE FINISH FLOOR.

URINALS



ADA Restroom Accessibility	
REV. NO. 001	DWG. NO.
REV. DATE: 08-27-20	AGD-02
DRAWN BY: NBS	SCALE: NTS